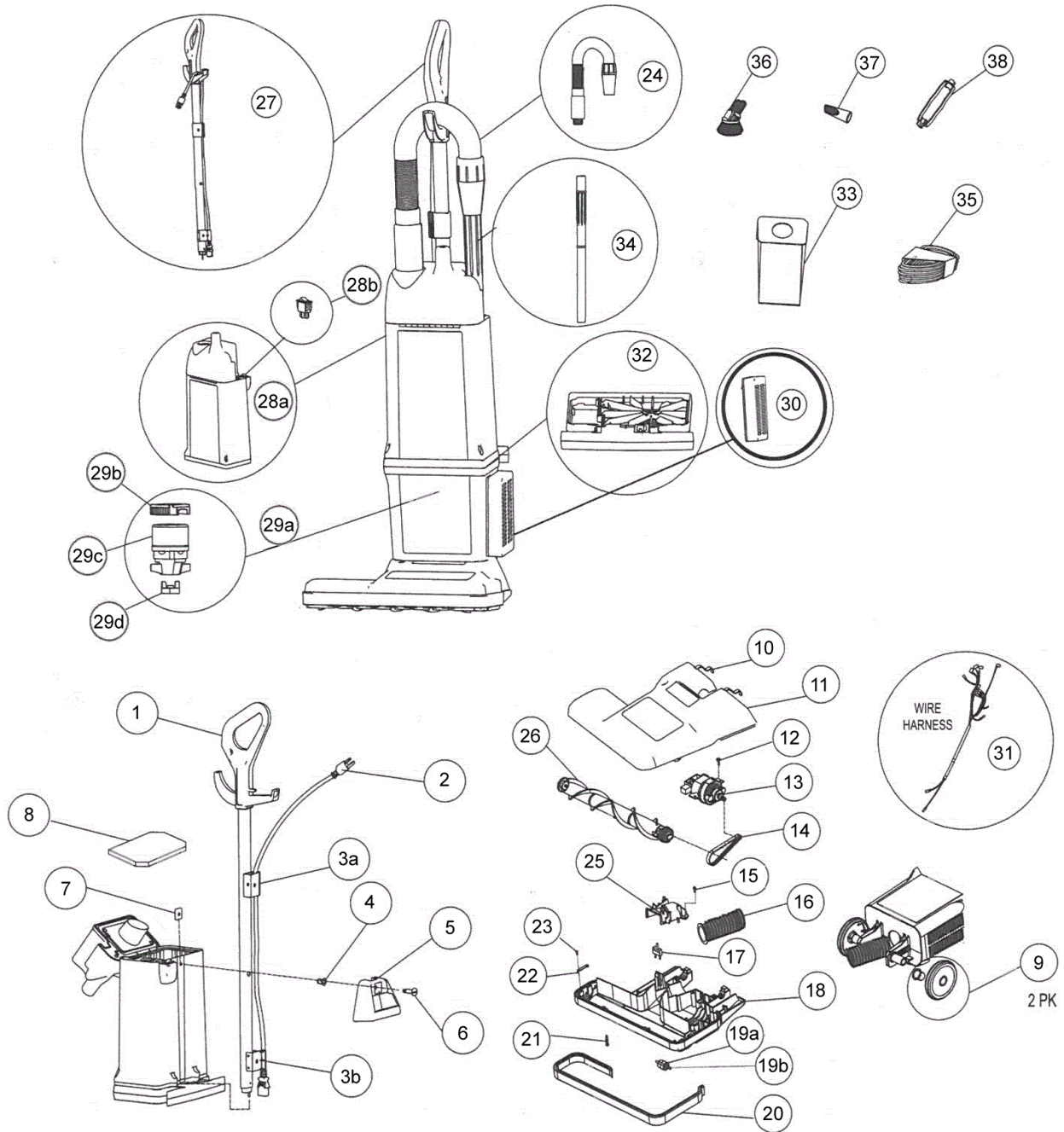


PERFECT® DM100 DUAL MOTOR UPRIGHT VACUUM

Entire Assembly



#	Part	Description	Req
1	287-0046	Handle grip	1
2	287-0047	Power cord	1
3a	287-0048	Upper cord holder with screw	1
3b	287-0049	Lower cord holder with screw	1
4	287-0050	Sleeve	1
5	287-0051	Carry handle	1
6	287-0052	Handle bolt	1
7	287-0053	Square handle nut	1
8	287-0054	Foam filter	1
9	287-0055	Rear wheels with sleeve bearing (pkg of 2)	1
10	287-0056	Detent spring	1
11	287-0057	Hood with detent spring	1
12	287-0058	Screw	1
13	287-0059	Brush roll motor	1
14	287-0060	Brush roll belt	1
15	287-0061	Screw	1
16	287-0062	Duct hose with cuff assembly	1
17	287-0063	1.6amp circuit breaker with spacer	1
18	287-0064	Base assembly	1
19a	287-0065	Front roller wheel	1
19b	N/A	Not available	1

20	287-0067	Bumper	1
21	287-0068	Screw	1
22	287-0069	Brush roll retainer	1
23	287-0070	Screw	1
24	287-0071	Attachement hose	1
25	287-0072	Duct hose cover	1
26	287-0073	Brush roll complete	1
27	287-0074	Handle assembly	1
28a	287-0075	Bag housing with lid	1
28b	287-0076	On/off switch	1
29a	287-0077	Lower motor housing	1
29b	287-0078	Motor housing gasket	1
29c	287-0079	Vacuum motor	1
29d	287-0080	Commutator end gasket	1
30	N/A	Not available	1
31	287-0082	Wire harness	1
32	287-0083	Bulkhead with electrical receptacle	1
33a	287-0084	Paper vacuum bag (pkg of 100)	1
33b	287-0085	Paper vacuum bag (pkg of 9)	1
34	N/A	Not available	1
35a	287-0087	50 foot extension cord	1
35b	991-5002	16/3 extension cord 50 foot (yellow)	1
36	287-0088	Combination tool	1

37	287-0089	Crevice tool	1
38	287-0090	Cord connection assembly	