



**PACIFIC**<sup>®</sup>  
F L O O R C A R E

**PURPOSE BUILT.**<sup>®</sup>

**FM-ME**

**EDGER/SCRUBBER FLOOR MACHINE**

Model: 515451

**PARTS & OPERATING MANUAL**



Thank you for purchasing a Pacific Floorcare product. Carefully inspect all components for freight damage. If such damage is discovered, file a "CONCEALED DAMAGE REPORT" immediately with the delivering carrier.

Read this manual carefully and keep it near the machine, protected from liquids and other damaging substances. Failure to follow the instructions may result in injury or damage to equipment and property.

The contents of this manual are based on the latest product information available at the time of publication. Pacific Floorcare reserves the right to make changes or improvements without being obliged to apply changes to the machines previously sold.

New manuals can be downloaded from: [www.pacificfloorcare.com/manuals](http://www.pacificfloorcare.com/manuals)

# SAFETY

## Operators must read and understand all warnings and instructions in this manual



**WARNING:** INDICATES A POTENTIALLY HAZARDOUS SITUATION WHICH, IF NOT AVOIDED, COULD RESULT IN DEATH OR SERIOUS INJURY.



**WARNING:** Do not use the machine without reading the instruction sheet.



**WARNING:**

- This machine is only to be operated for its intended use by a trained operator.
- Always wear personal protective equipment when operating this machine.
- This machine is not intended for use by persons (including children) with reduced physical, sensory or mental capabilities, or lack of experience and knowledge.
- Do not operate this machine unless it is completely assembled.
- A qualified or authorized person must do maintenance and repairs.
- Do not use with damaged cord or plug. If the machine is not working properly, has been dropped, damaged, left out doors, or exposed to water, bring it to a service center.
- To prevent electric shock, keep the machine surface dry, do not expose to rain, and store in a dry location.
- Clean with a dry cloth.
- Machines can cause an explosion when near flammable materials and vapors. Do not use this machine near fuels, grain dust, solvents, thinners, or other flammable materials. Do not use flammables to clean this machine.
- Always use a three-wire electrical system connected to the electrical ground.
- For maximum protection against electrical shock, use a Ground Fault Circuit Interrupter (GFCI) protected circuit.
- Unplug the cord from the electrical outlet prior to changing pads, performing maintenance and when not in use.
- Do not move this machine over the power cord. Always lift the power cord over the machine.
- Do not pull or carry cord, use cord as a handle, close a door on cord, or pull cord around sharp edges or corners.
- Keep cord away from heated surfaces.
- This machine has been designed for use with the pads specified by the manufacturer. The fitting of other pads may affect its operational safety.

## GROUNDING

This floor-finishing machine shall be grounded while in use to protect the operator from electric shock. The machine is provided with a three-conductor cord and a three-contact grounding type attachment plug to fit the proper grounding type receptacle. The green (or green and yellow) conductor in the cord is the grounding wire. Never connect this wire to other than the grounding pin of the attachment plug. The plug must be inserted into a properly-grounded outlet in accordance with all local codes and ordinances.



**WARNING:** - Do not modify the plug provided with the machine. Improper connection of the equipment grounding conductor can result in a risk of electric shock. Have a qualified electrician or service person verify whether the outlet is properly grounded.

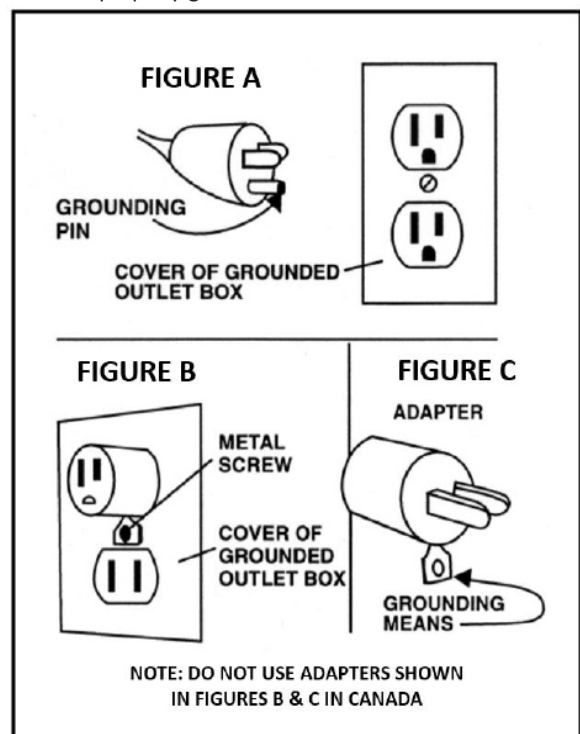
This machine is for use on a nominal 120-volt circuit, and has a grounded plug (see figure A). A temporary adapter that looks like the adapter illustrated in figures B and C may be used to connect this plug to a 2-pole receptacle as shown in figure B if a properly grounded outlet is not available. The temporary adapter should be used only until a properly grounded outlet (figure A) can be installed by a qualified electrician.

## EXTENSION CORDS

Use only three-wire 12/3 or larger gauge approved extension cords that have three-prong grounding type plugs and three-pole receptacles that accept the appliance's plug.

Replace or repair any damaged cords or plugs.

Use only identical replacement parts installed by an authorized service technician.



## PREPARATION

This machine is intended for commercial use



**WARNING:** Machines can cause an explosion when near flammable materials and vapors. Do not use this machine near fuels, grain dust, solvents, thinners, or other flammable materials. Do not use flammables to clean this machine.

**CAUTION:** Do not operate the machine without the brush or pad installed

1. Remove obstructions in intended cleaning area prior to operating the machine
2. Verify the facility and the machine have compatible voltage prior to use (see Safety Instructions)
3. Inspect the machine for loose or damaged components
4. Unplug the cord from the wall outlet and lay the machine back to expose the pad driver
5. Select the appropriate pad for the application (scrubbing, finish removal, etc...)
6. Lay the machine on its side and remove the screw in the bottom of the drive adaptor
7. Position the brush or pad on the drive adaptor
8. Assemble the attachment screw and tighten
9. Check the application recommendations and procedures on the cleaning or finish instructions

## OPERATION

1. Plug the power cable into a properly grounded outlet (see Safety Instructions)
2. Adjust the handle height to a comfortable position
3. Start the machine by depressing the trigger switch
4. Guide the machine by slightly raising and lowering the handle
  - a. Raise the handle slightly to go left
  - b. Lower the handle slightly to go right
5. Release the switch lever to stop the machine

## MAINTENANCE



**WARNING:** Always disconnect the machine's electrical plug from the electrical outlet before performing any service, maintenance, pad changing or inspection of the machine.

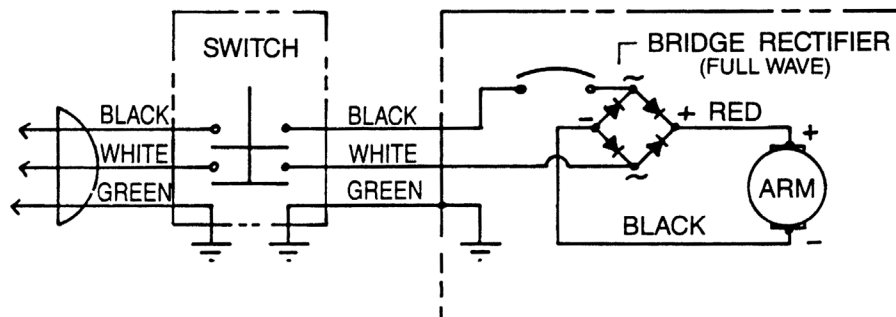
**NOTE:** The motor is lubricated for life under normal use. No oiling or greasing is necessary.

**NOTE:** To prevent brush damage and reduce wobble problems, do not store the unit with the machine weight on the brush. Either remove the brush or support the unit on a hook while in the storage position.

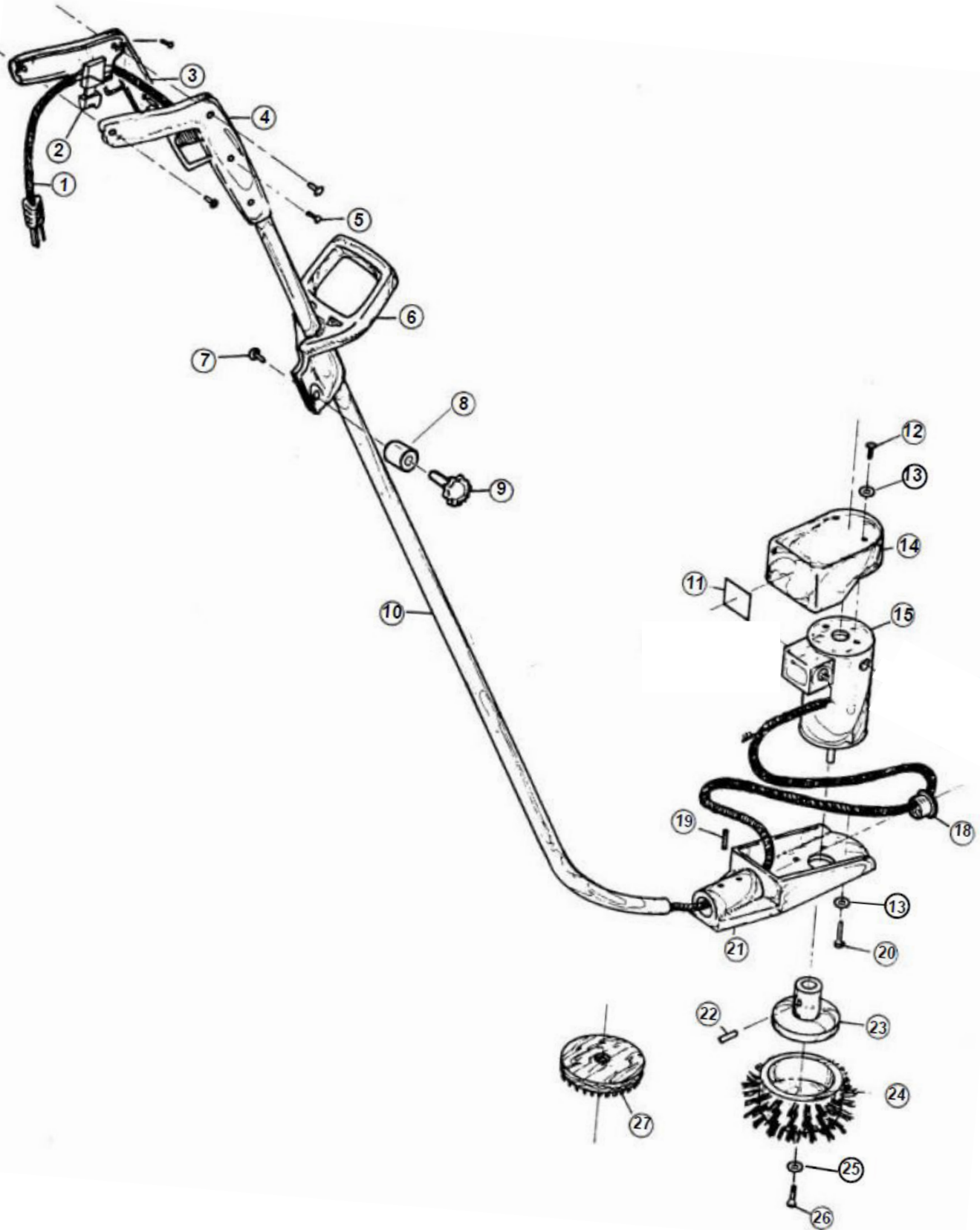
## AFTER EACH USE

1. Store the machine in a clean dry area
2. Wipe the entire machine and cord down with a clean cloth
3. Inspect the cord and plug for nicks, cuts or damage
4. Remove the pad or brush and clean thoroughly

## WIRING DIAGRAM



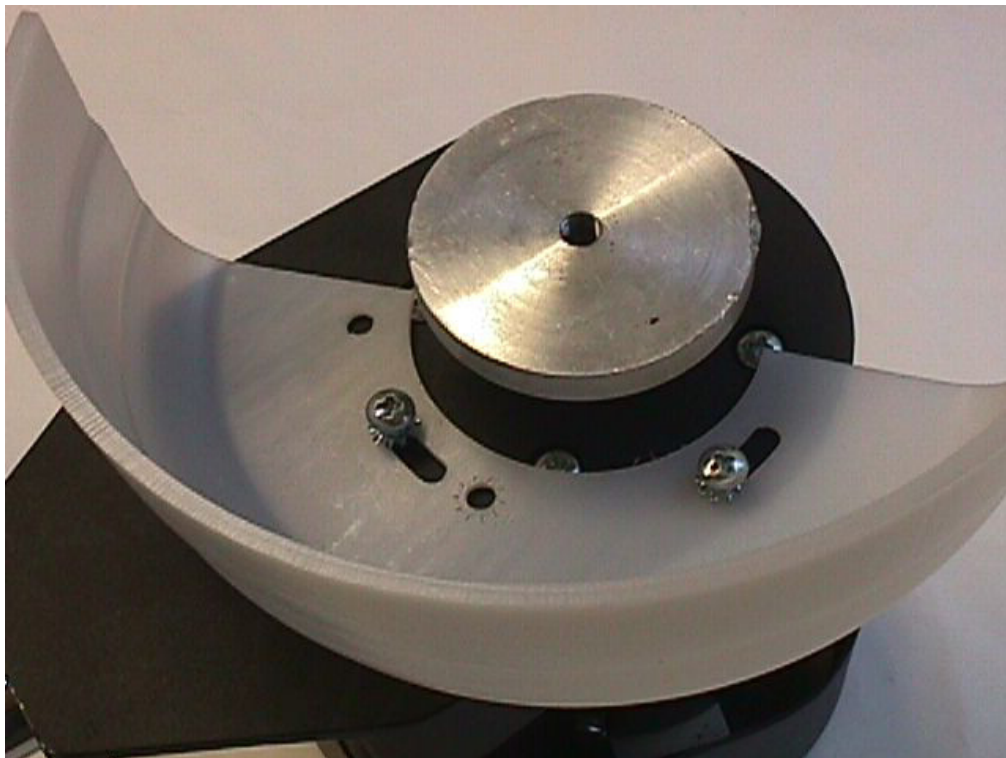
# FM-ME FLOOR MACHINE



ITEM	QTY	PART NUMBER	DESCRIPTION
1	1	908048	CORD ASSY 18-3 SO 13"LONG
2	1	911064C	SWITCH-TRIGGER 16A-125V
3	1	513951	HANDLE-LEFT NORYL BLACK
4	1	513950	HANDLE-RIGHT-NORYL BLACK
5	4	962145	SCREW #8X5/8HI-LOW BLK OX
6	1	513971	HANDLE ADJ-BLACK PLASTIC
7	1	962173	BLT CARRAGE 5/16-18X2 3/4
8	1	518203	SPACER-KNOB
9	1	515050	KNOB FLUTED
10	1	519051	TUBE - HANDLE
11	2	151148	LABEL-WARNING TRILINGUAL
12	2	962029	SCREW 10-24X1/2 PHP
13	6	980015	WASHER #10 EXT TOOTH
14	1	512355	COVER-MTR- BLACK
15	1	515259C	MTR ASSY 115V (ME-6)
18	1	511150	BUSHING-SNAP HEYCO 2092
19	2	962005	SCREW 1/4-20X3/8 SET H200066
20	1	962019	SCREW 10-32X5/8 PHP
21	1	511360	BASE-MOTOR- BLACK PEEL
22	2	962042	SCREW 1/4-20X1/2 SET
23	1	510252	ADAPTOR-MTR RH
24	1	510950	BRUSH-MAL-GRIT-EDGER
25	1	980037	WASHER 5/16 CSK EXT TOOTH
26	1	962040	SCREW 5/16-24X1.25 FHP BO
27	1	515950	PAD DRIVER-EDGER-ACC
<b>NOT SHOWN</b>			
	1	513650	SPLASH GUARD-EDGER-ACC
	3	962015	SCREW 10-32X3/8 PHP 199023
<b>AVAILABLE PADS</b>			
PART NUMBER		DESCRIPTION	
555900		PAD 6.5" BLACK STRIP CASE 15	
555910		PAD 6.5" BROWN STRIP CASE 15	
555930		PAD 6.5" GREEN SCRUB CASE 15	
555940		PAD 6.5" RED SCRUB CASE 15	
555950		PAD 6.5" WHITE POLISH CASE 15	
511354		BONNET 6.5" CARPET CASE 6	
510952		BRUSH-POLY-FM-ME-ACC SCRUB	
510954		BRUSH-NYLON - MINI-EDGER	
510956		BRUSH-GROUT - MINI-EDGER .050 S	

## SPLASH GUARD INSTALLATION

When using the brush, install the splash guard as shown below.







**PACIFIC**<sup>®</sup>  
F L O O R C A R E

**PURPOSE BUILT.**<sup>®</sup>

[www.pacificfloorcare.com](http://www.pacificfloorcare.com)